

## Gemini Series

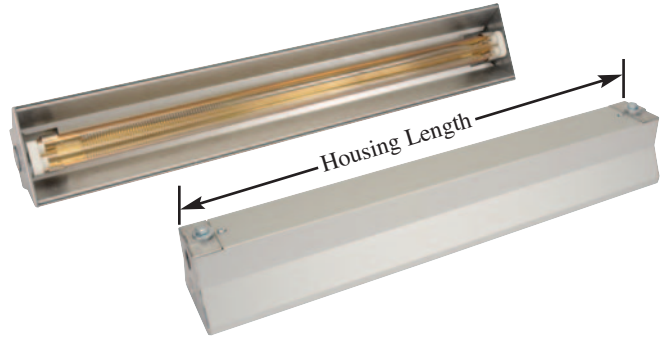
### Gemini Medium Wave Infrared E-Mitter Assemblies using a CRA Linear Housing

#### CRA Linear Modular Housing Assemblies

These compact assemblies have one 33 × 15 mm twin bore Gemini quartz heater mounted in front of an aluminized steel reflector at a power density of 63.5 w/linear inch.

#### Design Features

- \* Rapid heat-up/cool-down and low residual heat retention
- \* Compact lightweight extruded anodized housing
- \* High efficiency aluminized steel reflector for harsh environments and high temperature applications
- \* Adaptable to all Gemini twin bore sizes



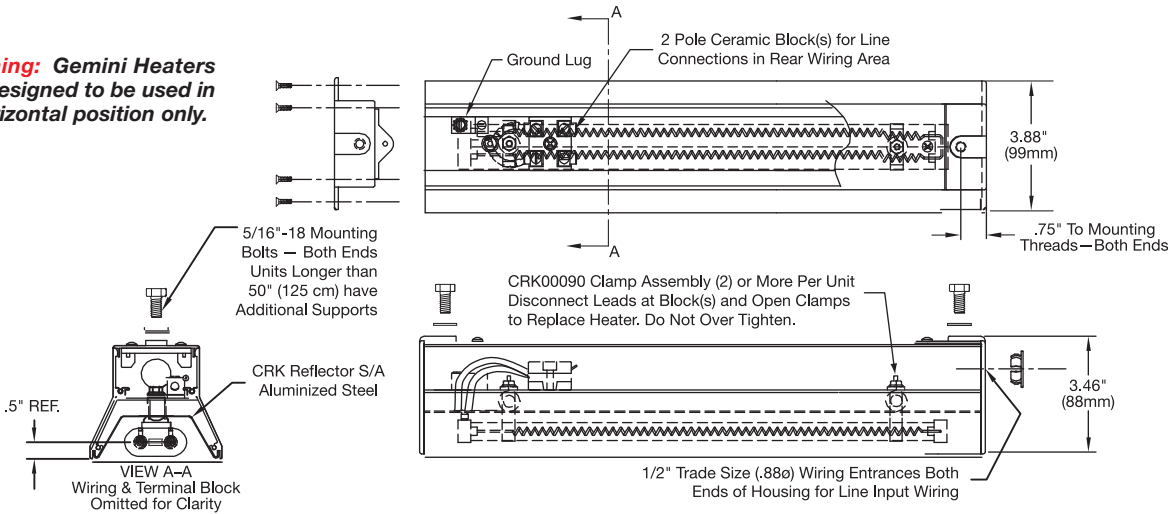
#### Standard (Non-Stock) and Stock Sizes and Electrical Ratings – 230V

Stock Items Are Shown In **RED**

Watts	Housing Length		Heated Length (HL)		Housing Assembly Part Number			Replacement Heater Part Number			Winding Pattern See Page 7-66
	in	mm	in	mm	Gold	White	None	Gold	White	None	
2000	36.19	919	31.5	800	CRA80001	CRA80015	<b>CRA80024</b>	GEM00015	GEM10015	<b>GEM20015</b>	A
2500	44.06	1119	39.4	1000	CRA80002	CRA80016	<b>CRA80025</b>	GEM00016	GEM10016	<b>GEM20016</b>	A
3250	56.63	1438	51.2	1300	CRA80003	CRA80017	<b>CRA80026</b>	GEM00018	GEM10018	<b>GEM20018</b>	A
3750	63.75	1619	59.1	1500	CRA80004	CRA80018	<b>CRA80027</b>	GEM00019	GEM10019	<b>GEM20019</b>	A
4000	67.69	1719	63.0	1600	CRA80005	CRA80019	<b>CRA80028</b>	GEM00020	GEM10020	<b>GEM20020</b>	A
4100	71.65	1820	66.9	1700	CRA80006	CRA80020	<b>CRA80029</b>	GEM00021	GEM10021	<b>GEM20021</b>	A
4500	76.38	1940	70.9	1800	CRA80007	CRA80021	<b>CRA80030</b>	GEM00022	GEM10022	<b>GEM20022</b>	A
5000	84.25	2140	78.7	2000	CRA80008	CRA80022	<b>CRA80031</b>	GEM00023	GEM10023	<b>GEM20023</b>	B
6250	103.13	2620	98.4	2500	CRA80009	CRA80023	<b>CRA80032</b>	GEM00024	GEM10024	<b>GEM20024</b>	B



**Warning:** Gemini Heaters are designed to be used in a horizontal position only.



#### Ordering Information

Select a Part Number from the Standard Sizes and Electrical Ratings table that meets your requirement.

Custom housings are available for any twin tube size (18 × 8 mm, 23 × 11 mm, and 33 × 15 mm; see page 7-67) Gemini Series Heater. Specify watts, volts and heated length (or w/in) required and TEMPCO will design a unit to suit your application. Clear, gold, or white ceramic coated heaters and doubled end wiring, and chrome steel reflector options are available.

**WARNING:** Cancer and Reproductive Harm - [www.P65Warnings.ca.gov](http://www.P65Warnings.ca.gov).