

Radiant Process Heaters

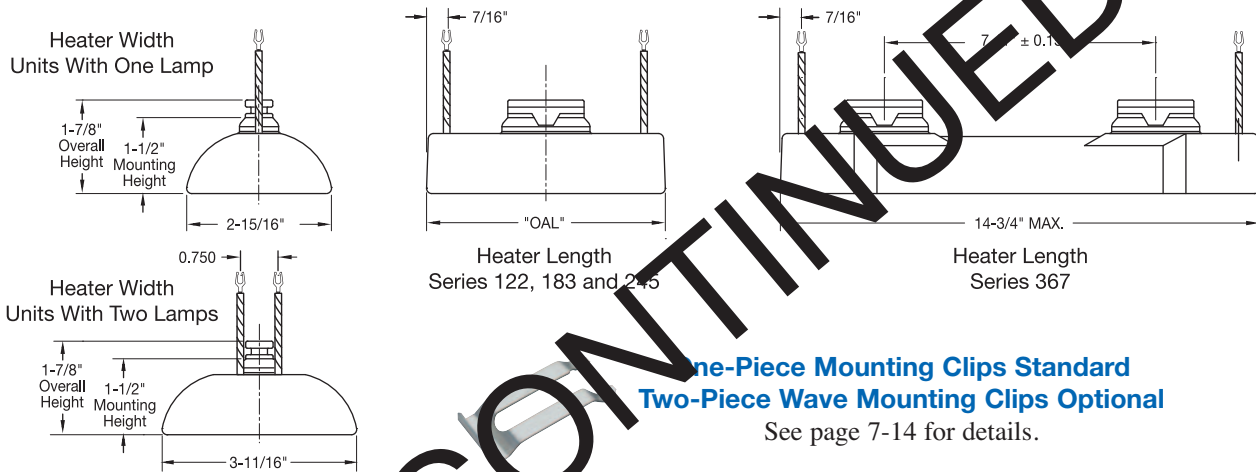


VS Glow Infrared Heaters

VSC Series High Density Medium Wave

Design Features

- * Gold Coated Ceramic Reflector
- * Medium wave Infrared Radiation up to 116 watts per linear inch
- * Fast Response, Immediate ON/OFF, Time: 20-40 seconds for full heat-up
- * All Ceramic Housing Construction
- * Standard lamp voltages: 120 & 230/240
- * All units are double-ended construction



Standard (Non-Stock) VSC Series

VS Glow heaters listed have 10" mica insulated leads and a one-piece spring clip for mounting.

Series	Maximum Overall Length (in)	Maximum Overall Length (mm)	Heated Length (in)	Heated Length (mm)	Width (in)	Width (mm)	Wattage	Voltage	Part Number	Number of Lamps	Replacement Lamp Part Number
122	4.90	124.5	1.77	45	3.67	93.1	250	120	VSC00138	2	LMP00075
					2.89	73.5	150	120	VSC00139	1	LMP00077
183	7.36	187.0	4.17	106	2.89	73.5	250	120	VSC00140	1	LMP00078
					2.89	73.5	300	120	VSC00141	1	LMP00079
					3.67	93.1	500	120	VSC00142	2	LMP00078
					2.89	73.5	250	120	VSC00143	1	LMP00080
245	9.82	249.5	6.65	168	2.89	73.5	400	120	VSC00144	1	LMP00081
					2.89	73.5	500	120	VSC00145	1	LMP00082
					3.67	93.1	800	120	VSC00146	2	LMP00081
					2.89	73.5	250	230/240	VSC00147	1	LMP00083
					2.89	73.5	400	230/240	VSC00148	1	LMP00084
					2.89	73.5	500	230/240	VSC00149	1	LMP00085
					3.67	93.1	800	230/240	VSC00150	2	LMP00084
367	14.74	374.5	11.38	289	2.89	73.5	400	120	VSC00151	1	LMP00086
					2.89	73.5	650	120	VSC00152	1	LMP00087
					2.89	73.5	800	120	VSC00153	1	LMP00088
					3.67	93.1	1300	120	VSC00154	2	LMP00087
					2.89	73.5	400	230/240	VSC00155	1	LMP00089
					2.89	73.5	650	230/240	VSC00156	1	LMP00090
					2.89	73.5	800	230/240	VSC00157	1	LMP00091
3.67	93.1	1300	230/240	VSC00158	2	LMP00090					