



VSA Series High Density Short Wave

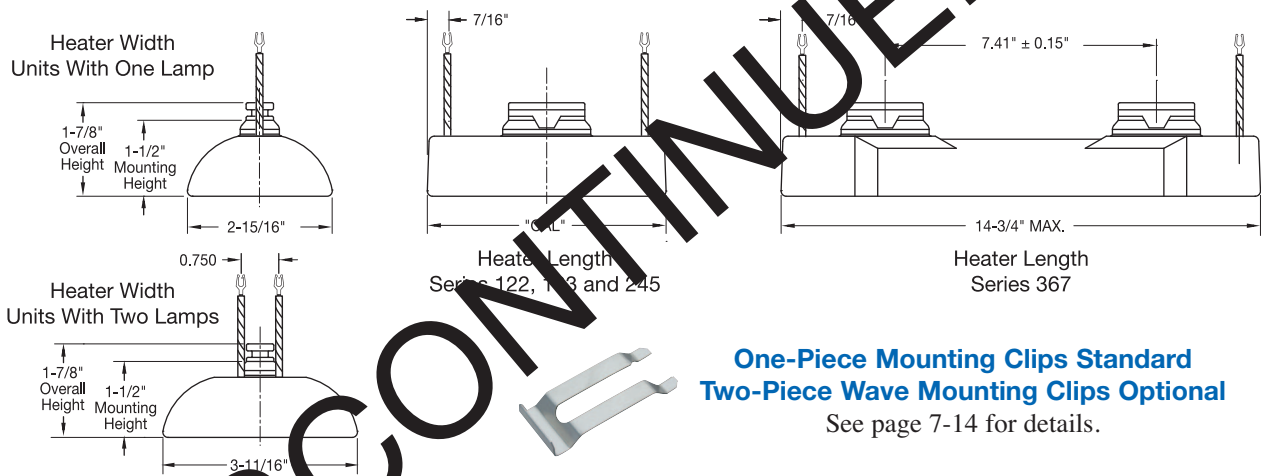


Design Features

- * Gold Coated Ceramic Reflector
- * Short Wave Infrared Radiation up to 220 watts per linear inch
- * Fast Response, Immediate ON/OFF, Time: 20-40 seconds for full heat-up
- * All Ceramic Housing Construction
- * Standard Lamp Voltages: 120 & 230/240
- * All units are double-ended construction

Typical Semiconductor Industry Applications

- ◆ Etching ◆ Rapid Thermal Process ◆ Strip Removal
- ◆ Epitaxy ◆ Chemical Vapor Deposit



One-Piece Mounting Clips Standard
Two-Piece Wave Mounting Clips Optional

See page 7-14 for details.

Standard (Non-Stock) VSA Series

VSA Series heaters listed have 10" mica insulated leads and a one-piece spring clip for mounting.

Series	Maximum Overall Length (in) (mm)		Heated Length (in) (mm)		Width (in) (mm)		Wattage	Voltage	Part Number	Number of Lamps	Replacement Lamp Part Number
122	4.90	124.5	1.77	45	2.89	73.5	150	120	VSA00322	1	LMP00056
					2.89	73.5	225	120	VSA00323	1	LMP00057
					2.89	73.5	275	120	VSA00324	1	LMP00058
					3.67	93.1	450	120	VSA00325	2	LMP00057
183	7.36	187.0	4.17	106	2.89	73.5	300	120	VSA00326	1	LMP00059
					2.89	73.5	475	120	VSA00327	1	LMP00060
					2.89	73.5	600	120	VSA00328	1	LMP00061
					3.67	93.1	950	120	VSA00329	2	LMP00060
245	9.82	249.5	6.65	168	2.89	73.5	500	120	VSA00330	1	LMP00062
					2.89	73.5	750	120	VSA00331	1	LMP00063
					2.89	73.5	1000	120	VSA00332	1	LMP00064
					3.67	93.1	1500	120	VSA00333	2	LMP00063
					2.89	73.5	500	230/240	VSA00334	1	LMP00065
					2.89	73.5	750	230/240	VSA00335	1	LMP00066
367	14.74	374.5	11.38	289	2.89	73.5	800	120	VSA00338	1	LMP00068
					2.89	73.5	1250	120	VSA00339	1	LMP00069
					2.89	73.5	1500	120	VSA00340	1	LMP00070
					3.67	93.1	2500	120	VSA00341	2	LMP00069
					2.89	73.5	800	230/240	VSA00342	1	LMP00071
					2.89	73.5	1250	230/240	VSA00343	1	LMP00072
					2.89	73.5	1500	230/240	VSA00344	1	LMP00073
					3.67	93.1	2500	230/240	VSA00345	2	LMP00072