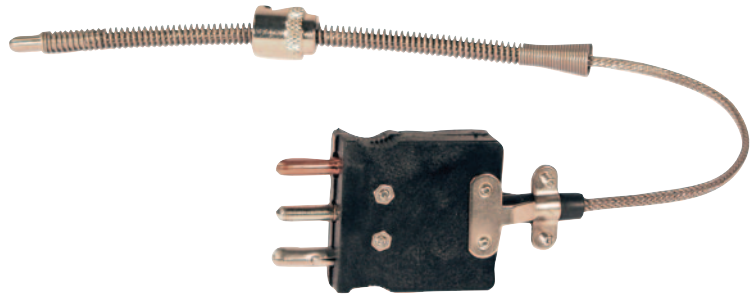


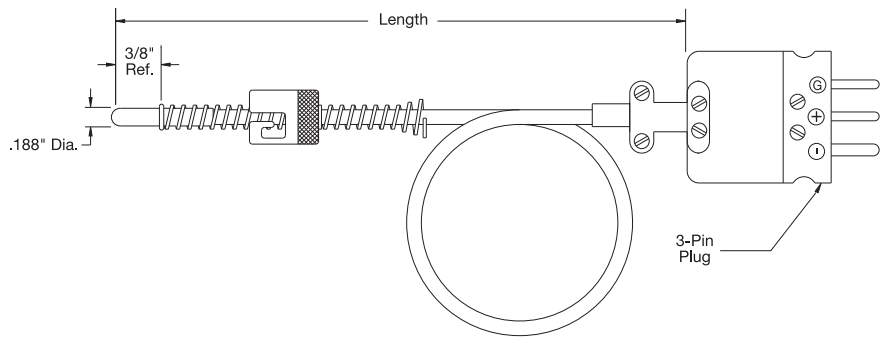
### OEM Replacement Thermocouples

#### Spring Adjustable Thermocouples with 3-pin Male Plug

- \* Ungrounded Type J Thermocouple
- \* 12" Long Compression Spring
- \* Grounded Stainless Steel Braided Shield
- \* 900°F (482°C) Max. Operation
- \* Used with the Bayonet Adapters on page 14-87



Part Number	Length (inches)
TCP18001	24
TCP18002	36
TCP18003	48
TCP18004	60
TCP18005	72
TCP18006	84
TCP18007	96
TCP18008	108
TCP18009	120
TCP18010	132
TCP18011	144



#### Armor Cable Adjustable Thermocouples with 3-pin Male Plug

- \* Ungrounded Type J Thermocouple
- \* Grounded Stainless Steel Armor Cable
- \* 900°F (482°C) Max. Operation
- \* Used with the Bayonet Adapters on page 14-87



Part Number	Length (inches)
TCP28001	12
TCP28002	24
TCP28003	36
TCP28004	48
TCP28005	60
TCP28006	72
TCP28007	84
TCP28008	96
TCP28009	108
TCP28010	120
TCP28011	132
TCP28012	144

