

### Benchtop Point-of-Use Temperature Control Consoles

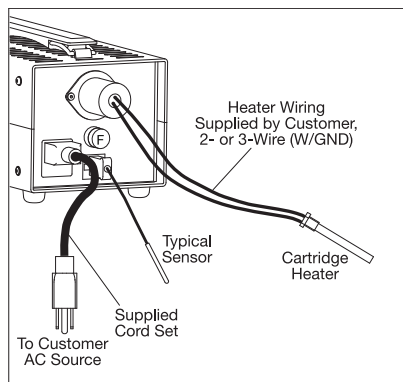
#### TYPE

# 1

#### Self-Powered Output (True Plug & Play Operation)

Heater power is drawn directly through the console's 15 amp line cord. Our standard TPC is also fused at 15 amps (12 amps useable). For 120 volt operation these are NEMA 5-15, for 240 volt operation these are NEMA 6-15. *See pg13-52 for units fused at 20 amps (16 amps usable).*

**True Plug & Play Operation:** The heater is simply wired to the supplied plug and plugged in to the rear mounted receptacle.



#### Self-Powered Output Consoles

Heater Power is Drawn from Console Input Power

Zones	Console Voltage Input	Controlled Voltage per Zone	Output per Zone Amps (max)	Watts per Zone (max)	Part Number and Sensor Input		
					Type J Input	Type K Input	RTD Input
1	120	120	12	1440	<b>TPC10062</b>	<b>TPC10063</b>	<b>TPC10064</b>
1	240	240	12	2880	<b>TPC10065</b>	TPC10066	TPC10067
2	120	120	6	720	<b>TPC20051</b>	<b>TPC20052</b>	TPC20053
2	240	240	6	1440	TPC20054	TPC20055	TPC20056
3	120	120	4	480	TPC30024	TPC30025	TPC30026
3	240	240	4	960	TPC30027	TPC30028	TPC30029
4	120	120	3	360	TPC40031	TPC40032	TPC40033
4	240	240	3	720	TPC40034	TPC40035	TPC40036

Stock Items Are Shown In **RED**

#### TYPE

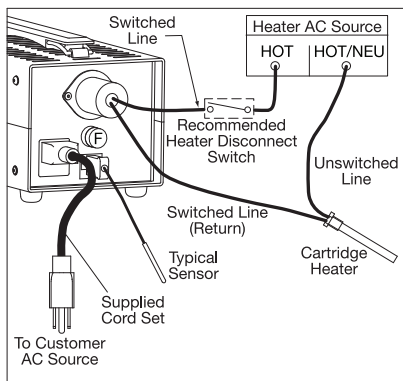
# 2

#### Switched Plug Output Only

The heater power is independent of the console controller input power. A Solid State Relay closure is provided per zone for external control switching. Each zone is fused at 15 Amps. External 120, 208 or 240 VAC must be provided to the heater power circuit.



You must install a switch into the heater circuit to disconnect power to the heater output when the console is not in use. The internal solid-state relay should not be relied on to disconnect heater power.



#### Switched Plug Output Consoles

Heater Power is Independent of Console Input Power

Zones	Console Voltage Input	Controlled Voltage per Zone (max)	Output per Zone Amps (max)	Watts per Zone (max)	Part Number and Sensor Input		
					Type J Input	Type K Input	RTD Input
2	120	240	12	2880	TPC20057	TPC20058	TPC20059
2	240	240	12	2880	TPC20060	TPC20061	TPC20062
3	120	240	12	2880	TPC30030	TPC30031	TPC30032
3	240	240	12	2880	TPC30033	TPC30034	TPC30035
4	120	240	12	2880	TPC40037	TPC40038	TPC40039
4	240	240	12	2880	TPC40040	TPC40041	TPC40042

Stock Items Are Shown In **RED**

### Specifications

- Output Power Switching:** Solid State Relay with heat sink
- Optional Sensor Inputs:** Consult Tempco
- Power Input:** Rear panel mounted fused power inlet, cord supplied
- Control Options:** FM High Limit Controller, 2nd Output, Alarm, Data Communications or other special requirements; consult Tempco.

### Ordering Information

- Standard Consoles** – Order by specifying part number. Standard lead time is Stock to 4 weeks.
- Custom Made Consoles.** Custom consoles can be manufactured with electrical components to meet your specific requirements. **Consult Tempco.**

**WARNING:** Cancer and Reproductive Harm - [www.P65Warnings.ca.gov](http://www.P65Warnings.ca.gov).