

Bimetal Dial Thermometers

Bimetal Dial Thermometers for Industrial Applications

Typical Applications

- ➔ Oil, Gas & Petrochemical
- ➔ Waste Water
- ➔ Pharmaceutical
- ➔ Compost
- ➔ Food & Beverage
- ➔ Military
- ➔ Paper and Pulp
- ➔ Dairy
- ➔ Mining
- ➔ Power Generation
- ➔ Utilities
- ➔ Refrigeration
- ➔ Marine
- and Many More !!!

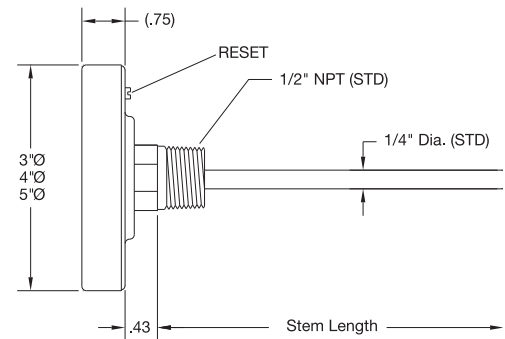
Bimetal Dial Thermometers are ideal for when you need a simple, "local" temperature display.

Tempco offers 2 styles: Backmounted and Adjustable Angle, each available with either 3" or 5" dials.

Backmounted Bimetal Dial Thermometers

Design Features

- * All Stainless Steel Construction
- * Hermetically Sealed (ASME B40.3)
- * Accurate to 1% of Full Scale
- * Standard External Reset
- * Silicone Fillable for Vibration Resistance
- * 1/2" NPT Connection Standard
- * Selected 3" and 5" Dial Thermometers Available from Stock



Backmounted Bimetal Dial Thermometers Standard Sizes and Ranges 1/2" NPT Connection Standard

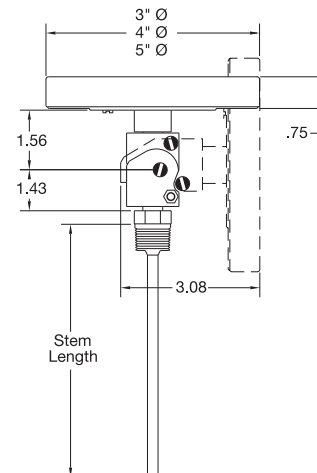
Dial Dia. (in)	Stem Length (in)	Part Number by Temperature Range					
		-40 to 160°F	0 to 100°F	0 to 200°F	0 to 250°F	50 to 300°F	50 to 550°F
3	2.5	BMT10001	BMT10004	BMT10007	BMT10010	BMT10013	BMT10016
	4	BMT10002	BMT10005	BMT10008	BMT10011	BMT10014	BMT10017
	6	BMT10003	BMT10006	BMT10009	BMT10012	BMT10015	BMT10018
5	2.5	BMT10019	BMT10022	BMT10025	BMT10028	BMT10031	BMT10034
	4	BMT10020	BMT10023	BMT10026	BMT10029	BMT10032	BMT10035
	6	BMT10021	BMT10024	BMT10027	BMT10030	BMT10033	BMT10036

Stock Items Are Shown In RED

Adjustable Angle Bimetal Dial Thermometers

Design Features

- * Complete 180° Adjustability
- * 360° Case Rotation
- * All Stainless Steel Construction
- * Hermetically Sealed (ASME B40.3)
- * Accurate to 1% of Full Scale
- * Standard External Reset
- * Silicone Fillable for Vibration Resistance
- * 1/2" NPT Connection Standard
- * Selected 3" and 5" Dial Thermometers Available from Stock



CONTINUED →