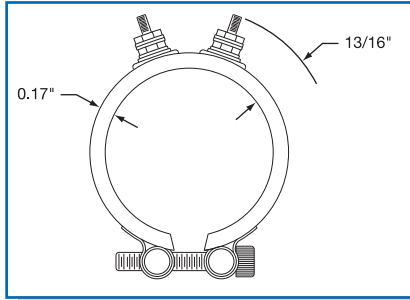


## Terminations

### Screw Terminals: Type T2, Type T3X & Type T3Y

The specially designed Stainless Steel Power Terminals are internally connected to the heater and are resistant to over-torquing. The screw terminals are virtually unbreakable. Secure tightening of the electrical connections is essential for safety and long heater life.

#### Mi-Plus Type T2 — Screw Terminals



 **Only Tempco's Mi-Plus has these unique Torque-Resistant Power Terminals.**



#### One-Piece Band

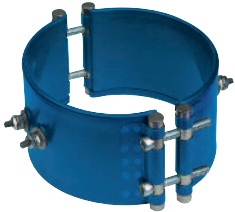
**Standard Termination Location:**  
opposite the gap; center of width

- \* **Minimum Inside Diameter:** 2-1/2" (63.5 mm)
- \* **Minimum Width:** 1-1/2" (38.1 mm)
- \* **Post Terminals:** 10-32 or 8-32
- \* **Maximum Volts:** 480VAC
- \* **Maximum Amps:** 25A (10-32) or 20A (8-32)

#### Two-Piece Band

**Standard Termination Location:**  
center of each half; center of width

- \* **Minimum Inside Diameter:** 3" (76.2 mm)
- \* **Minimum Width:** 1-1/2" (38.1 mm)
- \* **Post Terminals:** 10-32 or 8-32
- \* **Maximum Volts/Amps:** 480VAC/  
25A (10-32) or 20A (8-32) each half



#### One-Piece Expandable Band

**Standard Termination Location:**  
two sets of terminals opposite the gap;  
center of the width

- \* **Minimum Inside Diameter:** 2-1/2" (63.5 mm)
- \* **Minimum Width:** 1-1/2" (38.1 mm)
- \* **Post Terminals:** 10-32 or 8-32
- \* **Maximum Volts/Amps:** 480VAC/  
25A (10-32) or 20A (8-32) each half



#### Mi-Plus Type T3X — Screw Terminals

#### One-Piece Band

**Standard Termination Location:**  
opposite the gap; across center of width

- \* **Minimum Inside Diameter:** 2-1/2" (63.5 mm)
- \* **Minimum Width:**  
with 10-32 Post Terminals — 2-1/2" (63.5 mm)  
with 8-32 Post Terminals — 2" (50.8 mm)
- \* **Maximum Volts/Amps:** 480VAC/  
25A (10-32) or 20A (8-32) each half



#### One-Piece Expandable Band

**Standard Termination Location:**  
two sets of terminals opposite the gap;  
across center of width

- \* **Minimum Inside Diameter:** 2-1/2" (63.5 mm)
- \* **Minimum Width:**  
w/ 10-32 Post Terminals — 2-1/2" (63.5 mm)  
w/ 8-32 Post Terminals — 2" (50.8 mm)
- \* **Maximum Volts/Amps:** 480VAC/  
25A (10-32) or 20A (8-32) each half



#### Two-Piece Band

**Standard Termination Location:**  
center of each half; across center of width

- \* **Minimum Inside Diameter:** 3" (76.2 mm)
- \* **Minimum Width:**  
w/ 10-32 Post Terminals — 2-1/2" (63.5 mm)  
w/ 8-32 Post Terminals — 2" (50.8 mm)
- \* **Maximum Volts/Amps:** 480VAC/  
25A (10-32) or 20A (8-32) each half

