

### Power Input

100 - 130 VAC, 50/60 Hz, 5VA  
200 - 240 VAC, 50/60 Hz, 5VA

### Signal Input

**Thermocouple:** Type J or K  
**RTD:** 3-wire Pt100 DIN or JIS  
**Sampling Rate:** 3 samples per second  
**Accuracy:**  $\pm 2\%$  of span  
**Cold Junction Compensation:**  $\pm 0.1^\circ\text{C} / 1^\circ\text{C}$   
**Common Mode Rejection Ratio (CMRR):** 120 dB  
**Normal Mode Rejection Ratio (NMRR):** 60 dB  
**Sensor Break Protection:** Upscale

### Output 1

**Relay Rating:** 5 Amp, 240 VAC  
**SSR drive:** Pulsed DC, 20 V at 20 mA maximum  
**Current Loop:** 4 - 20 mA, 0 - 20 mA, maximum load: 500 $\Omega$   
**Voltage:** 0 - 10 VDC, minimum load 500 K $\Omega$

### Control

**Proportional Band:** 2.2% of span  
**ON-OFF Hysteresis:** 1% of span  
**Cycle time:** 20 seconds for relay output, 1 second for pulsed voltage output, 0.02 second for linear current or voltage output  
**Control Action:** Reverse Action

### Approval Standards

**Safety Standard:** EN61326  
**Protective Class:** Front panel: IP 30  
Housing and Terminals: IP 20

### Adjustment

**Setpoint:** Single turn wirewound potentiometer  
**Setpoint Resolution:** 0.2% of span  
**Accuracy of Setpoint:**  $\pm 2\%$  of span  
**Repeatability of Setpoint:**  $\pm 0.1\%$  of span

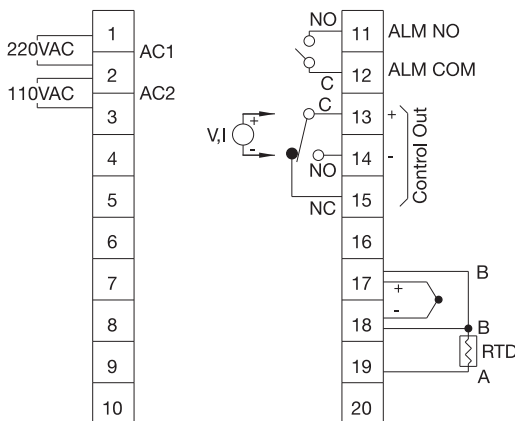
### Display

**Deviation meter:**  $\pm 10\%$  of scale (TEC-402)  
**Non-Indicating** (TEC-401)

### Environmental and Physical

**Operating Temperature:** 32 to 122°F (0 to 50°C)  
**Humidity:** 0 to 90% RH, non-condensing  
**Dielectric Strength:** 2000 VAC, 50/60 Hz for 1 minute  
**Vibration:** 10 - 55 Hz, amplitude 1 mm  
**Shock:** 200 m/s<sup>2</sup> (20g)  
**Dimensions:** 3-3/4 x 3-3/4 x 2-9/16" (96 x 96 x 65 mm) HxWxD  
Depth behind panel: 2" (53 mm)  
**Panel Cutout:** 3-5/8" x 3-5/8" (92 x 92 mm) HxW  
**Weight:** 0.79 lb. (360 grams)

### Rear Terminal Connections



(For TEC-401 Pins 11 and 12 are not used)

### Non-Indicating TEC-401 Stock and Common Part Numbers (Proportional mode)

Part Number	Signal Input	Range	Output
TEC57101	J tc	50-850°F	relay
TEC57102	J tc	50-550°F	relay
TEC57103	K tc	50-850°F	relay
TEC57104	K tc	50-550°F	relay
TEC57105	RTD	50-550°F	relay
TEC57106	J tc	0-300°C	relay
TEC57107	J tc	0-600°C	relay
TEC57108	K tc	0-300°C	relay
TEC57109	K tc	0-600°C	relay