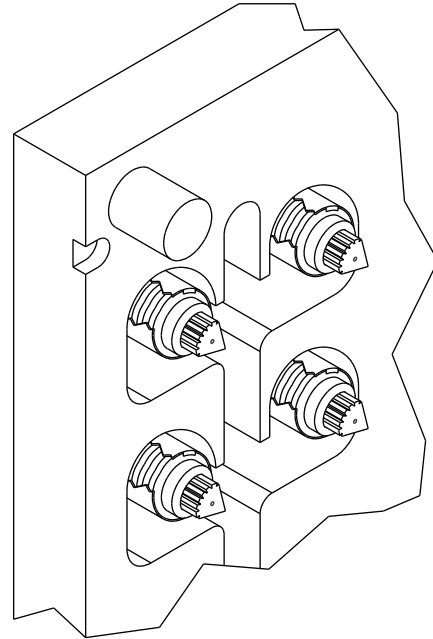


Tempco Replacement Mini-Coil Heaters (Round Cable) for OEM Hot Runner Systems

Tempco's Mini-Coil Band Heaters are designed and manufactured under the tightest tolerances so that they may be used in hot runner/runnerless injection mold tooling with complete confidence on maintaining the manufacturer's original balanced heating when using a minimum of thermocouples and temperature control zones.

- $\pm 2\%$ Resistance Tolerance
- 5" and 7" Staggered Cold Lead Length
- 72" Insulated Lead Wire Length
White/Black for 250W and White/Red for 125W



Cam Operated Clamping

Clamp Screw Clamping

Clamp Screw

Clamping

Screw operated clamping for the traditional style.

Cam Operated Clamping

Cam operated axial clamping allows tool room personnel to replace the heating element or the thermocouple of the gate bushing without having to remove the bushing from the mold. This can even be done in emergencies while the mold is still in the press, saving hours of downtime. The hex head cam is accessed from the front, parallel to the bushing's shaft.

Specifications

Mechanical

- Coil Heater Diameter:** 0.055", ± 0.002 "
- Thermocouple:** Type J, 0.055" dia., ± 0.002 "
- Inner Diameter:** ± 0.002 "
- Width/Length:** ± 0.020 "
- Axial Clamp Hex:** Tempered 416 series SS
Hex size: 1/8"
Rotation: 150 degrees
- Clamp Screw:** (2) 6-32 \times 1/2", SS,
Hex size 7/64"
- Heater Leads:** 18 ga. silver coated copper, Teflon[®]
insulation, 200°C/392°F
Staggered 5" and 7"
- Thermocouple Leads:** Fiberglass insulation, 1000°F

Electrical

- Resistance Tolerance:** $\pm 2\%$
- Wattage Tolerance:** $\pm 2\%$
- Voltage:** Standard voltages are 120 and 240VAC;
other voltages can be designed.
Consult Tempco with your requirements.

Tempco Replacement Mini-Coil Heaters (Round Cable) for OEM Hot Runner Systems

Stock and Standard (Non-Stock) Cam Operated Clamping Round Cable with Thermocouple

Stock Items Are Shown In **RED**



Clamp Style	ID		Length		Watts	Volts	Part Number Heater Only	Part Number With Type J T/C
	in	mm	in	mm				
Axial	.750	19.0	1.20	30.5	① 149	240	HRN00100	HRY00110
	.750	19.0	1.20	30.5	② 268	240	HRN00101	HRY00111
	.750	19.0	1.75	44.4	268	240	HRN00102	HRY00112
	.750	19.0	2.00	50.8	323	240	HRN00103	HRY00113
	.875	22.2	1.75	44.4	268	240	HRN00104	HRY00114
	1.000	25.4	1.20	30.5	300	240	HRN00105	HRY00115
	1.000	25.4	2.00	25.4	318	240	HRN00106	HRY00116
	1.000	25.4	1.20	30.5	350	240	HRN00107	HRY00117
	1.000	25.4	2.00	50.8	440	240	HRN00108	HRY00118
	.500	12.7	1.20	31.7	120	240	HRN00109	HRY00119

Stock and Standard (Non-Stock) Screw Operated Clamping Round Cable with Thermocouple

Stock Items Are Shown In **RED**



Clamp Style	ID		Length		Watts	Volts	Part Number Heater Only	Part Number With Type J T/C
	in	mm	in	mm				
Screw	.750	19.0	1.20	30.5	① 149	240	HRN01100	HRY01113
	.750	19.0	1.20	30.5	② 268	240	HRN01101	HRY01114
	.750	19.0	2.50	63.5	323	240	HRN01102	HRY01115
	.875	22.2	1.20	30.5	② 268	240	HRN01103	HRY01116
	.875	22.2	2.00	50.8	300	240	HRN01104	HRY01117
	.875	22.2	1.75	44.4	350	240	HRN01105	HRY01118
	.750	19.0	1.20	30.5	400	240	HRN01106	HRY01119
	.750	19.0	2.00	50.8	272	240	HRN01107	HRY01120
	.750	19.0	2.00	50.8	400	240	HRN01108	HRY01121
	.750	19.0	1.20	30.5	186	240	HRN01109	HRY01122
	1.500	38.1	2.50	63.5	675	240	HRN01110	HRY01123
	1.750	44.4	1.75	44.4	450	240	HRN01111	HRY01124
	2.500	63.5	1.50	38.1	380	240	HRN01112	HRY01125



Notes: ① It is the hot runner industry practice to refer to this heater as 125W even though the actual wattage will be dependent on the applied voltage. The resistance is 386.58 ohms.



Notes: ② It is the hot runner industry practice to refer to this heater as 250W even though the actual wattage will be dependent on the applied voltage. The resistance is 214.98 ohms.

Industry Cross Reference Part Numbers

Tempco Part Number	OEM Part Number	Rosemount Part Number
HRN00100	534234	904FE101
HRN01100	520156	904EJ101, 904EN101, 904FB101

Tempco Part Number	OEM Part Number	Rosemount Part Number
HRN00101	534233	904FE131
HRN01101	521334	904EJ131, 904EN131, 904FB131
HRN01103		904EJ141, 904EN141, 904FB141

Ordering Information

Stock Heaters

Select a Mini-Coil Heater from the standard sizes and ratings list.

Custom Engineered/Manufactured Heaters

An electric heater can be very application specific; for sizes, ratings and terminations not listed, **TEMPCO** will design and manufacture a Mini-Coil heater to meet your requirements. **Standard lead time is 3 weeks.**

Please Specify the following:

- Inner Diameter
- Width/Length
- Wattage
- Voltage
- Termination Type
- Cable/Braid Length
- Clamp Style
- Special Features

⚠ WARNING: Cancer and Reproductive Harm - www.P65Warnings.ca.gov.

(800) 323-6859 • Email: sales@tempco.com